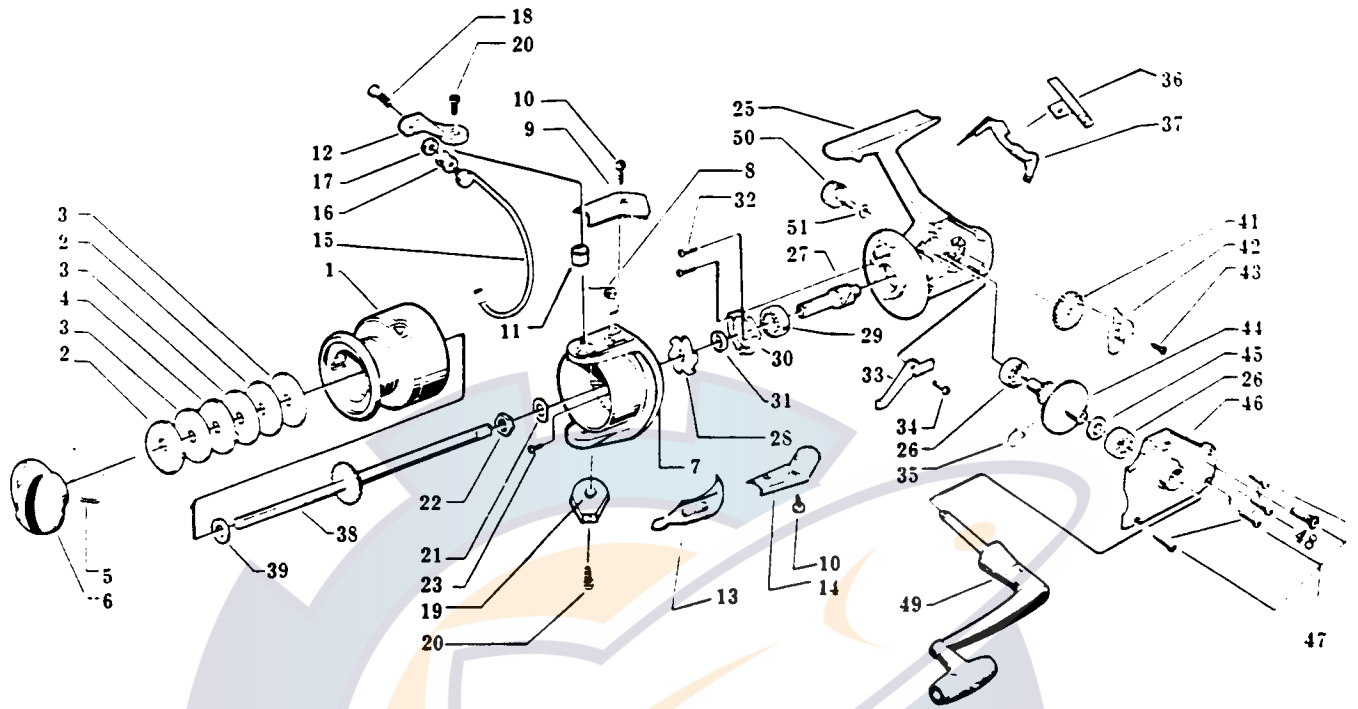


QUANTUM BR1/3-80



KEY NO.	BR180 PART NO.	BR380 PART NO.	DESCRIPTION	PRICE	KEY NO.	BR180 PART NO.	BR380 PART NO.	DESCRIPTION	PRICE
1	BH321-51	BH321-52	SPOOL ASSY.	11.20	27	BH011-51	BH011-51	PINION	3.15
2	BH081-51	BH081-51	SPOOL WASHER 'A'	1.55	28	BH080-51	BH080-51	RATCHET	1.20
3	BH033-51	BH033-51	SPOOL WASHER 'B'	.60	29	BH028-51	BH028-51	BALL BEARING	7.50
4	BH080-51	BH080-51	SPOOL WASHER 'D'	.90	30	BH040-51	BH040-51	BEARING PLATE	1.20
5	BH038-51	BH038-51	DRAG RETAINER	1.00	31	BH110-51	BH110-51	PINION COLLAR	1.20
6	BH332-51	BH332-51	DRAG KNOB ASSY.	3.15	32	BH041-51	BH041-51	BEARING SCREW	.50
7	BH009-51	BH009-52	ROTOR	6.50	33	BH083-51	BH083-51	STOPPER	1.20
8	BH022-51	BH022-51	BAIL SPRING	1.00	34	BH077-51	BH077-51	STOPPER SCREW	.50
9	BH046-51	BH046-51	ARM LEVER COVER	1.00	35	BH086-51	BH086-51	SILENT SPRING	.50
10	BH085-51	BH085-51	COVER SCREW	.50	36	BH059-51	BH059-51	ANTI-REVERSE LEVER	1.00
11	BH161-51	BH161-51	ARM LEVER BOSS COLLAR	1.20	37	BH089-51	BH089-51	A/R LEVER SPRING	1.00
12	BH007-51	BH007-51	ARM LEVER	1.55	38	BH315-51	BH315-51	MAIN SHAFT ASSY.	2.90
13	BH019-51	BH019-51	KICK LEVER	1.55	39	BH030-51	BH030-51	CLICK GEAR WASHER	.90
14	BH024-51	BH024-51	KICK LEVER COVER	1.00	41	BH053-51	BH053-51	OSCILLATING GEAR	1.55
15	BH347-51	BH347-51	BAIL ASSY	3.10	42	BH025-51	BH025-51	OSCILLATING SLIDER	2.05
16	BH004-51	BH004-51	LINE ROLLER	2.60	43	BH100-51	BH100-51	MAIN SHAFT SCREW	.50
17	BH102-51	BH102-51	ROLLER COLLAR	1.20	44	BH012-51	BH012-51	DRIVE GEAR	3.05
18	BH108-51	BH108-51	BAIL SCREW	.90	45	BH026-51	BH026-51	ADJUST WASHER	1.00
19	BH017-51	BH017-51	BAIL HOLDER	2.60	46	BH023-51	BH023-52	BODY COVER	2.60
20	BH044-51	BH044-51	BAIL HOLDER SCREW	.90	47	BH057-51	BH057-51	BODY COVER SCREW 'A'	.50
21	BH065-51	BH065-51	LOCK WASHER	.50	48	BH163-51	BH163-51	BODY COVER SCREW 'B'	.50
22	BH006-51	BH006-51	ROTOR NUT	1.20	49	BH318-51	BH318-51	HANDLE ASSY.	7.00
23	BH094-51	BH094-51	ROTOR NUT LOCK SCREW	.60	50	BH073-51	BH073-51	HANDLE SCREW CAP	1.20
26	BH001-51	BH001-52	BODY	6.50	51	BH105-51	BH105-51	HANDLE CAP WASHER	.90

Prices subject to change without notice. Prices do not include postage and handling.

PLEASE ORDER BY PART NUMBER

Rev. 6/94

Zebco Division Brunswick Corporation, Box 270, Tulsa, OK 74101 USA 918-836-5581

